

ZODIAC LTD.



MOON-L

IP-66
IK 09
Class I-II
CRI \leq 80
CE
RoHS
UL
CB

Type	Power consumption	Luminous flux	Lens	Weight
MOON-L	200 W	30000 lm	M2	18,00 kg
UP TO				
MOON-L	350 W	47250 lm	M2	18,95 kg

Optic & Reflectors:

ME, S and A optics

Color temperature:

From 2.200K up to 5.000K, amber

Dimming:

1-10V, Dali.

Voltage:

120 - 277 V

50-60 Hz

Overvoltage protection:

10 kV

Temperature range:

-30 to +50 °C

Lifetime:

min. 100.000 hours (L80/B10)

Material:

Marine Coating Die cast aluminum housing, color RAL 7015

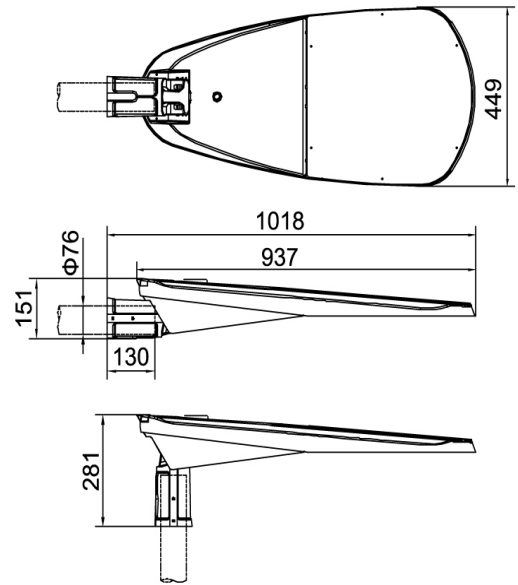
Cover with tempered safety glass

Mounting:

Side or top entry \varnothing 42-60mm

adjustable fixing system

Optional NEMA socket:



Warranty:

5 years, 7 years, 10 years

Marketing by:

Zodiac Investments & Logistics Ltd.

14 Hasharon st. Tel-Aviv ISRAEL

Contact Person: Mr. Gal Cohen

Tel: +972-3-5259979

Email: info@zodiac-inv.com

