

# ZODIAC LTD.



**MOON-S**

**IP-66  
IK 09  
Class I-II  
CRI ≤ 80  
CE  
RoHS  
UL  
CB**

Type	Power consumption	Luminous flux	Lens	Weight
MOON- S	60 W	7200 lm	M2	7,70 kg
<b>UP TO</b>				
MOON- S	120 W	16200 lm	M2	7,90 kg

**Optic & Reflectors:**

ME, S and A optics

**Color temperature:**

From 2.200K up to 5.000K, amber

**Dimming:**

1-10V, Dali.

**Voltage:**

120 - 277 V

50-60 Hz

**Overvoltage protection:**

10 kV

**Temperature range:**

-30 to +50 °C

**Lifetime:**

min. 100.000 hours (L80/B10)

**Material:**

Marine Coating Die cast aluminum housing, color RAL 7015

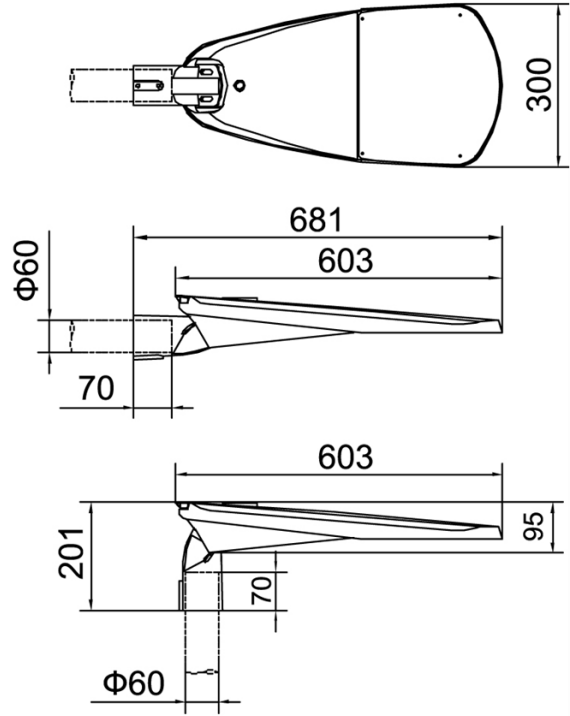
Cover with tempered safety glass

**Mounting:**

Side or top entry Ø 42-60mm

adjustable fixing system

**Optional NEMA socket:**



**Warranty:**

5 years, 7 years, 10 years

**Marketing by:**

Zodiac Investments & Logistics Ltd.

14 Hasharon st. Tel-Aviv ISRAEL

Contact Person: Mr. Gal Cohen

Tel: +972-3-5259979

Email: info@zodiac-inv.com

